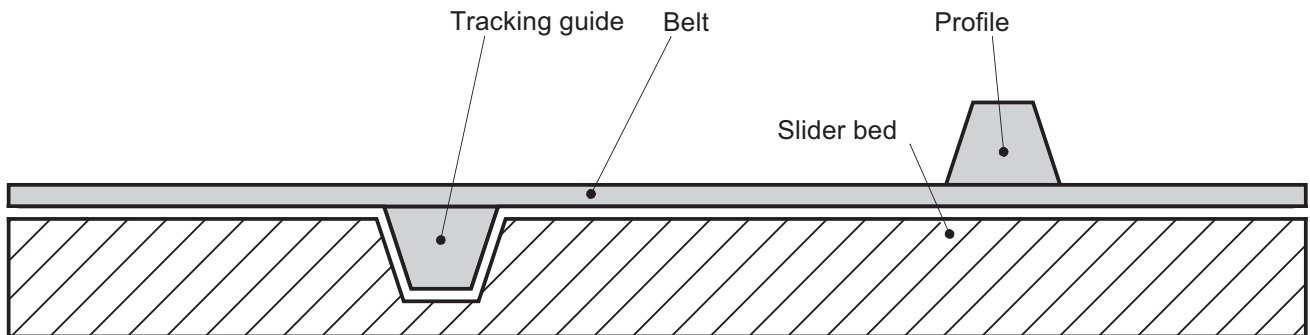


# [ Tracking Guides and Profiles

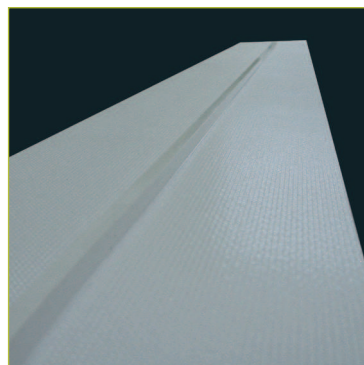
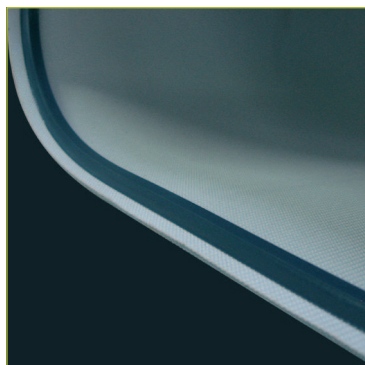
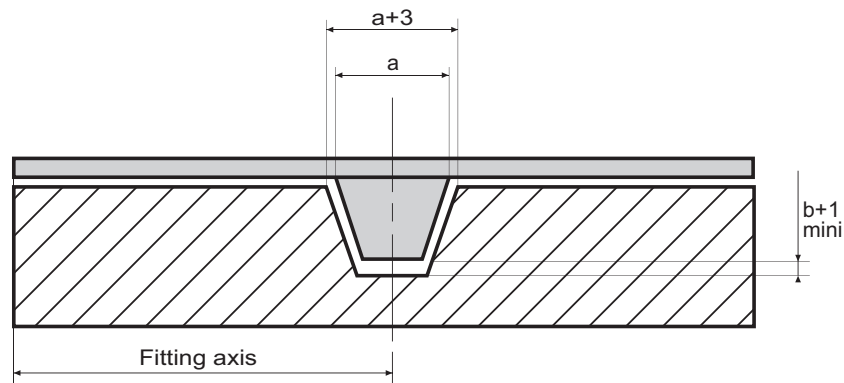
**Guides** ensure the proper tracking of the conveyor belt and can offset most transversal forces.

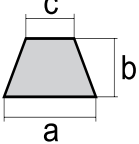
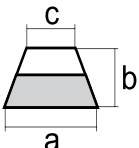
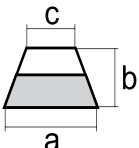
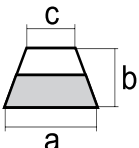
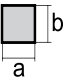
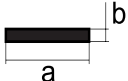
**Profiles** can replace sidewalls (when conveying products in bulk). Furthermore, they can track belts on swan neck conveyors.



**Tracking guides** : fitted on the bottom side

**Profiles** : fitted on top cover



	Type	Material	Colour			Hardness (ShA)	Min. pulley Ø (mm)			Dimensions (mm)			
			White	Blue	Green		Underside	Top cover	Transversal	a	b	c	
Type TR (trapezoidal)		TR 8/5	PVC	○	●	●	60	40	60	50	8	5	5
		TR 10/6	PVC	○	●	●	60	70	80	60	10	6	6
		TR 13/8	PVC	○	●	●	60	80	120	80	13	8	8
		TR 17/11	PVC	○	●	●	60	120	150	100	17	11	10
		TR 17/15	PVC	○		●	60	120	180	100	17	15	8
		TR 22/14	PVC	○		●	60	200	240	140	22	14	13
		TR 6/4 PUR	PU	○	●		64	40	-	-	6	4	4
		TR 8/5 PUR	PU	○	●	●	64	60	80	60	8	5	5
		TR 10/6 PUR	PU	○	●	●	64	70	90	70	10	6	6
		TR 13/8 PUR	PU	○	●	●	64	110	130	90	13	8	8
TR 17/11 PUR		PU	○	●	●	64	140	160	120	17	11	10	
Type TR-CR (notched trapezoidal)		TR 10/6 CR	PVC	○	●	●	60	45	45	60	10	6	6
		TR 13/8 CR	PVC	○	●	●	60	60	60	80	13	8	8
		TR 17/11 CR	PVC	○		●	60	100	100	100	17	11	10
		TR 10/6 CR PUR	PU	○	●		64	60	90	70	10	6	6
		TR 13/8 CR PUR	PU	○	●		64	90	100	90	13	8	8
Type R (square)		R 10/10	PVC	○		●	60	120	90	60	10	10	-
		R 10/10	PU	○	●		64	80	120	80	10	10	-
Type R (flat section)		R 20/6	PVC	○			60	110	110	-	20	6	-
		R 40/6	PVC	○			60	110	110	-	40	6	-
		R 30/2 PUR	PU	○		●	85	120	120	-	30	2	-
		R 40/2 PUR	PU	○		●	85	120	120	-	40	2	-
		R 50/2 PUR	PU	○		●	85	120	120	-	50	2	-
		R 60/2 PUR	PU	○		●	85	120	120	-	60	2	-
		R 40/6 PUR	PU	○			85	160	160	-	40	6	-
		R 30/8 PUR	PU	○			85	160	160	-	30	8	-